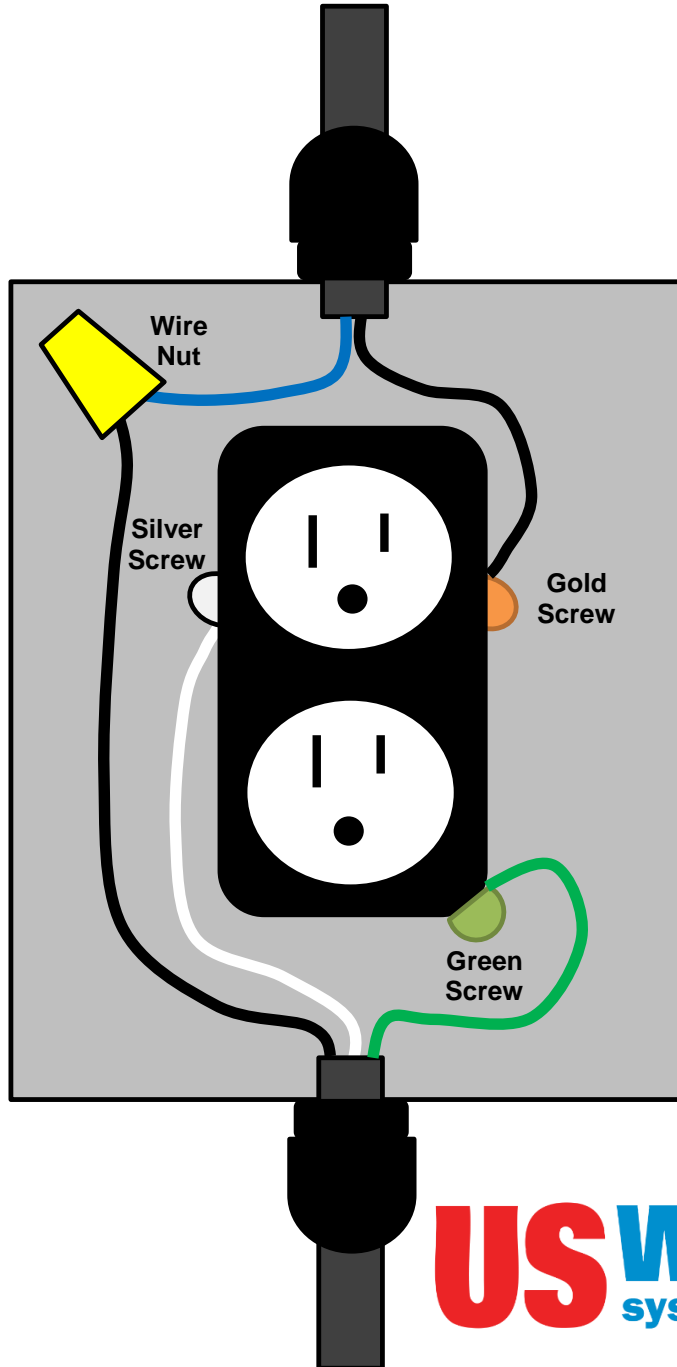


FROM FLOAT  
SWITCH



POWER  
CORD

**US Water**  
systems.com