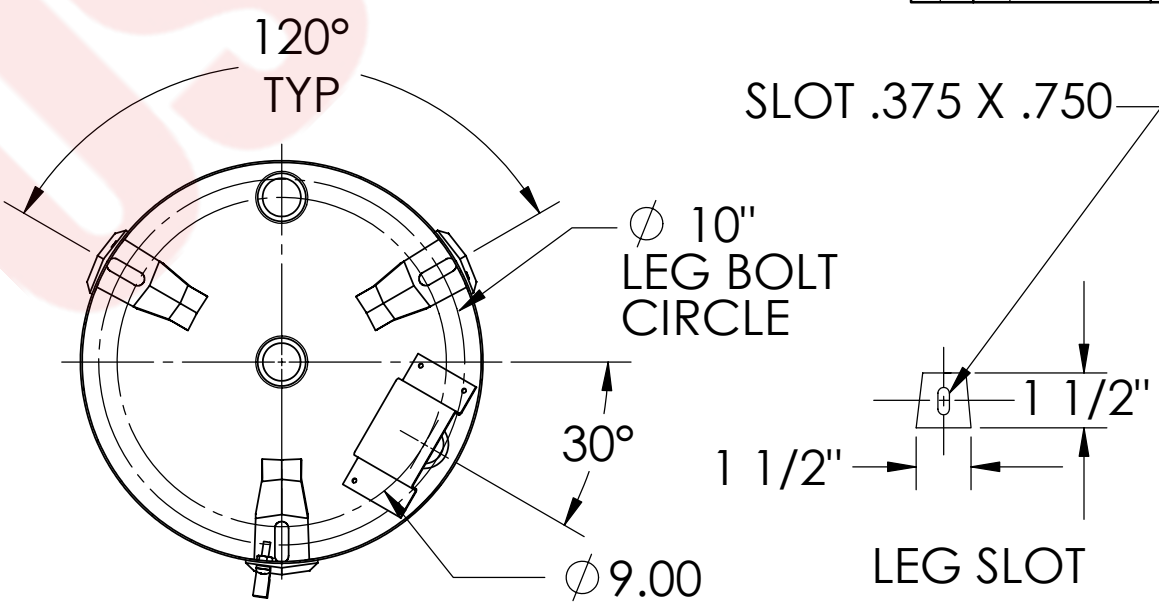
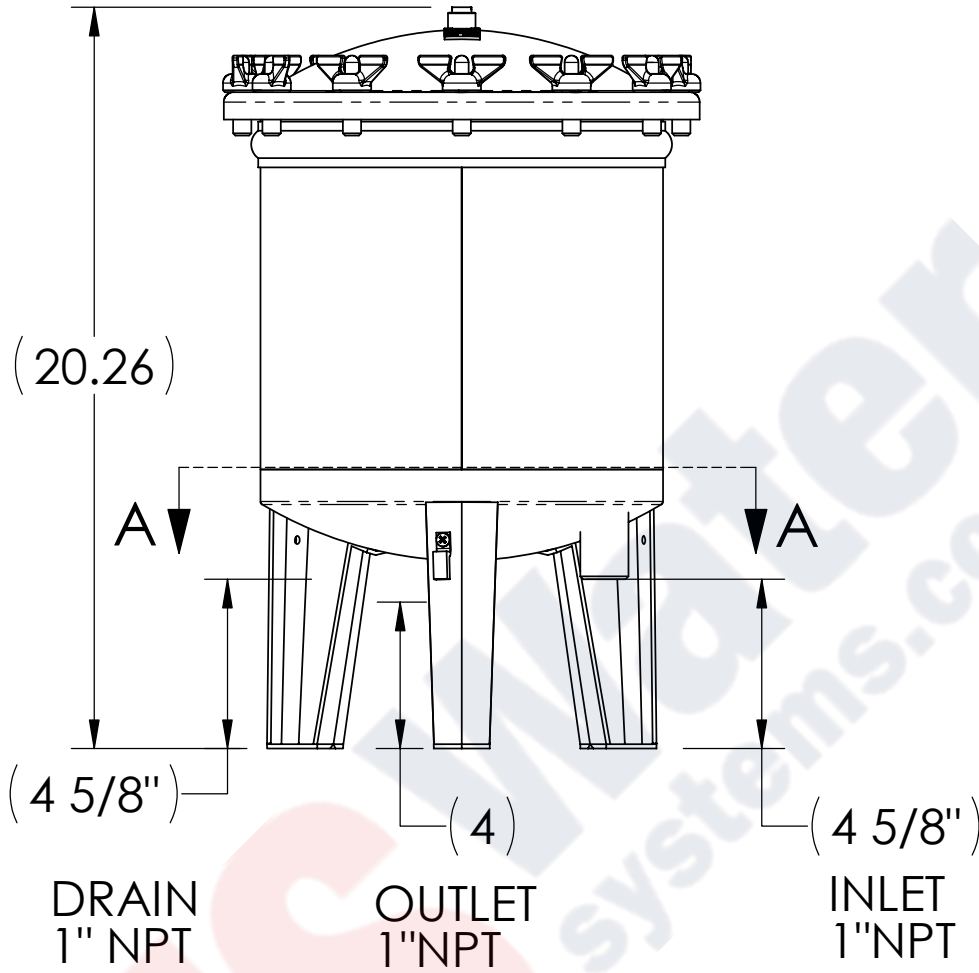


ALLOW 28" FOR OVERHEAD CLEARANCE



SECTION A-A
FOOTPRINT

REV.	DESCRIPTION	DATE	APPROVED

THE INFORMATION CONTAINED IN THIS DRAWING IS THE SOLE PROPERTY OF HARMSCO INC.. ANY REPRODUCTION IN PART OR WHOLE WITHOUT THEIR EXPRESS WRITTEN CONSENT IS PROHIBITED.

HARMSCO INC.		P.O. BOX 14066 N. PALM BEACH, FL	
SCALE 1:5		PART NO. WB 40SC-1	
APPROVALS		PART NAME	
DRAWN CDB	DATE 04/03	INSTALLATION DIAGRAM	
UNLESS OTHERWISE SPECIFIED DIMENSIONS ARE IN INCHES TOLERANCES ARE: FRACTIONS DECIMALS ANGLES +/- 1/8 +/- .010 +/- 30'			
DRAWN ON CAD DO NOT SCALE			