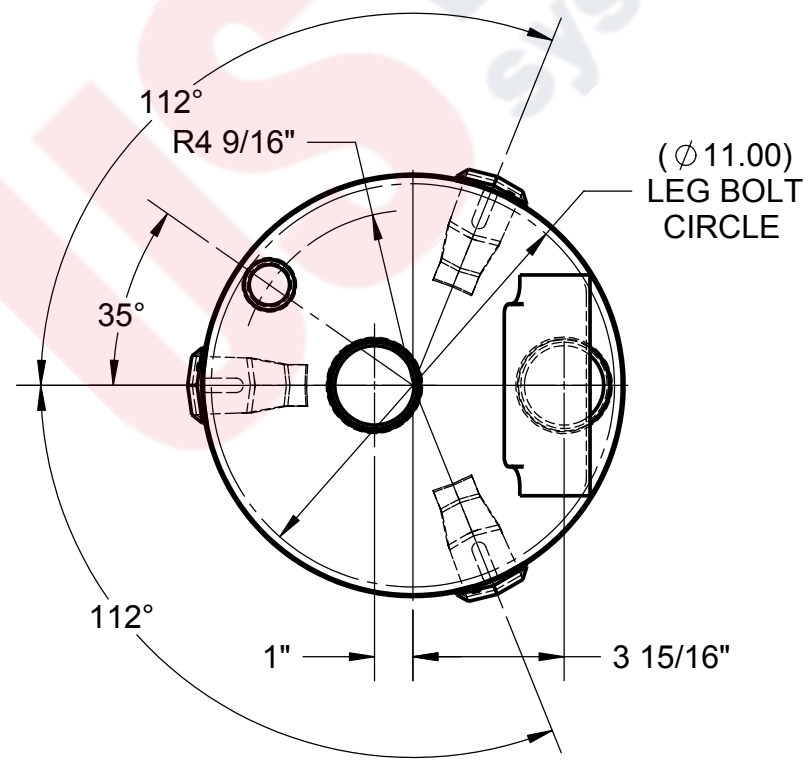
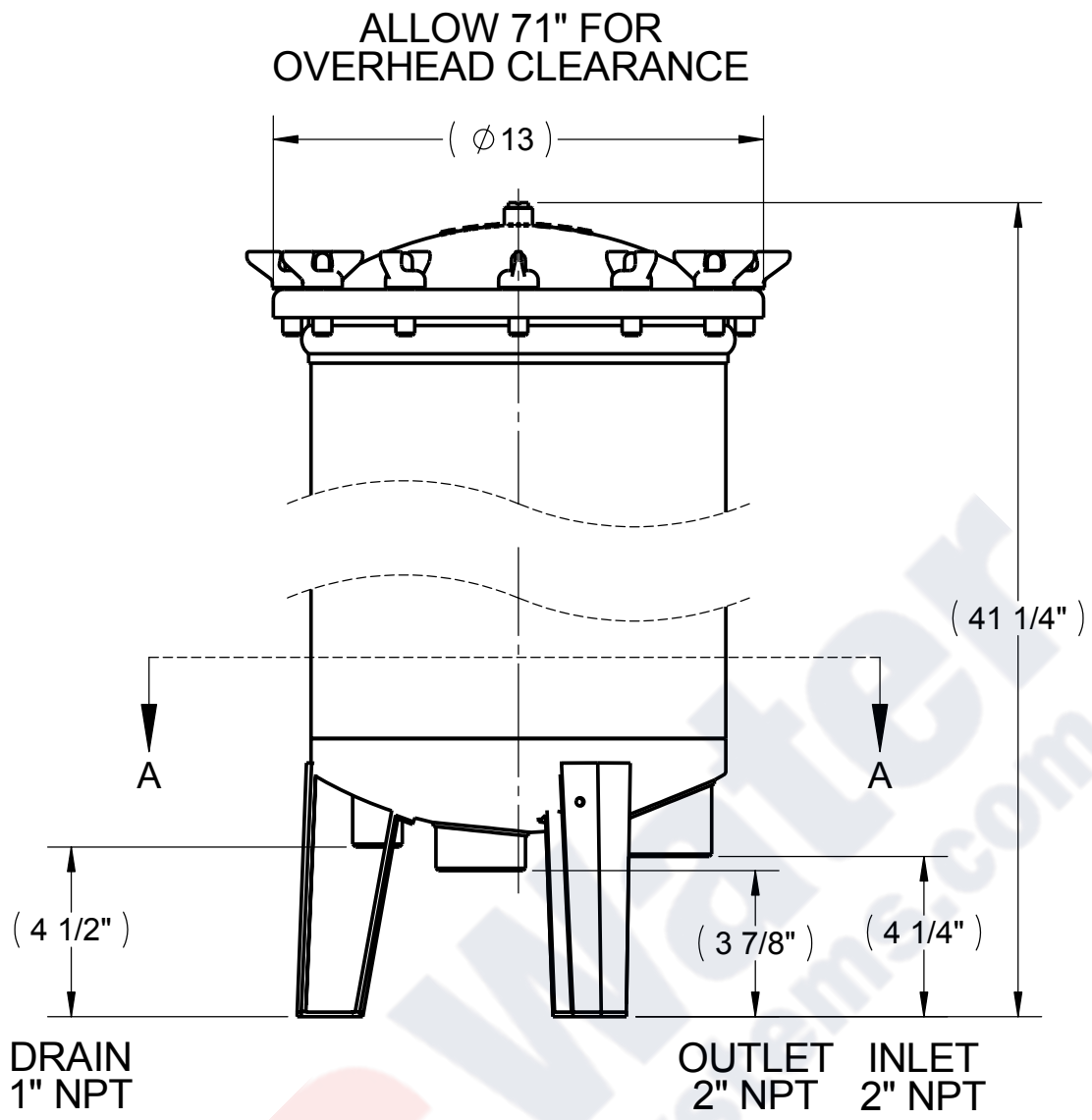


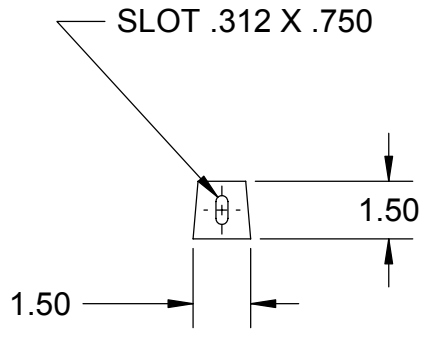
REV.	DESCRIPTION	DATE	APPROVED

E FILE: INSTALLATION DIAGRAM- WB 170SC-2

THE INFORMATION CONTAINED IN THIS DRAWING IS THE SOLE PROPERTY OF HARMSCO INC. ANY REPRODUCTION IN PART OR WHOLE WITHOUT THEIR EXPRESS WRITTEN CONSENT IS PROHIBITED.



**SECTION A-A
FOOTPRINT**



LEG SLOT

HARMSCO INC. P.O. BOX 14066 N. PALM BEACH, FL		PART NO.	
		WB 170SC-2	
APPROVALS		DATE	SCALE "1.5" PART NAME INSTALLATION DIAGRAM
DRAWN	RS	12/07	
APPROVED	RPT	2/08	
UNLESS OTHERWISE SPECIFIED DIMENSIONS ARE IN INCHES TOLERANCES ARE: FRACTIONS DECIMALS ANGLES +/- 1/8 +/- .010 +/- .30°			
DRAWN ON CAD DO NOT SCALE			