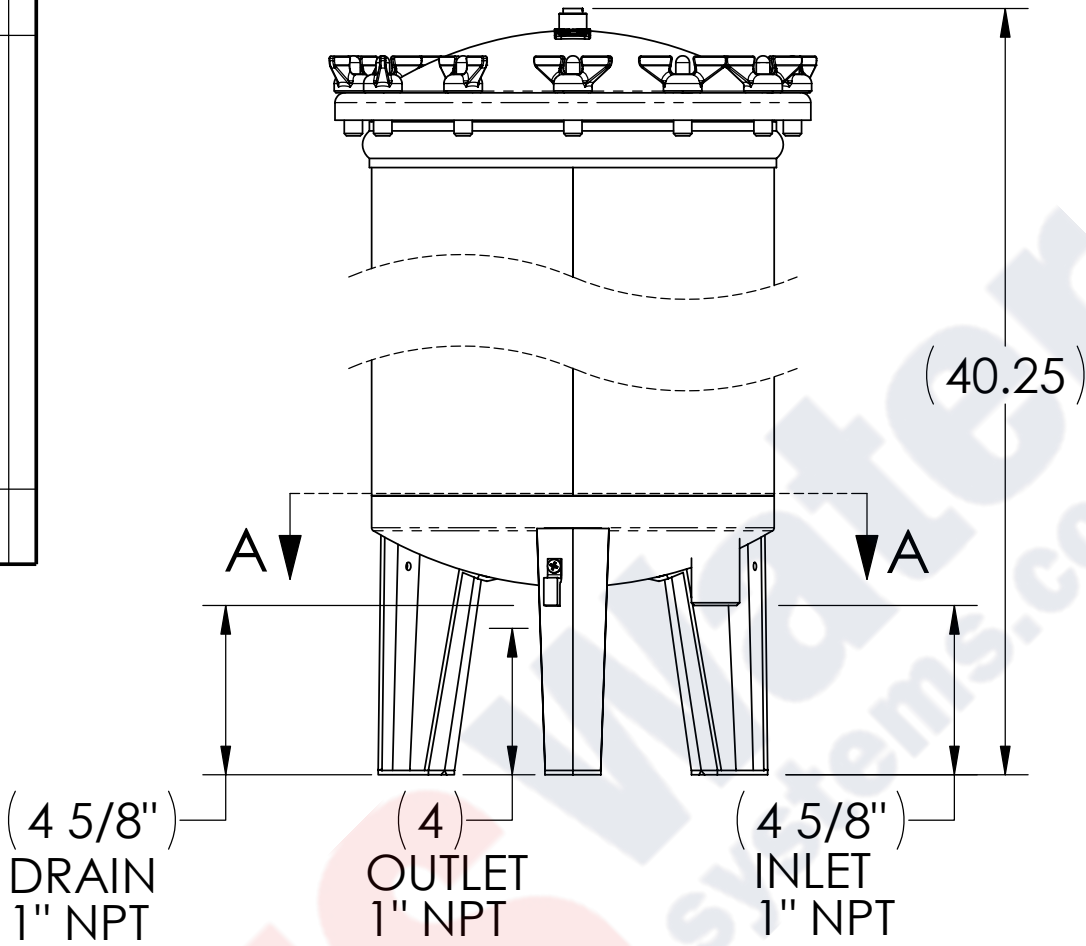
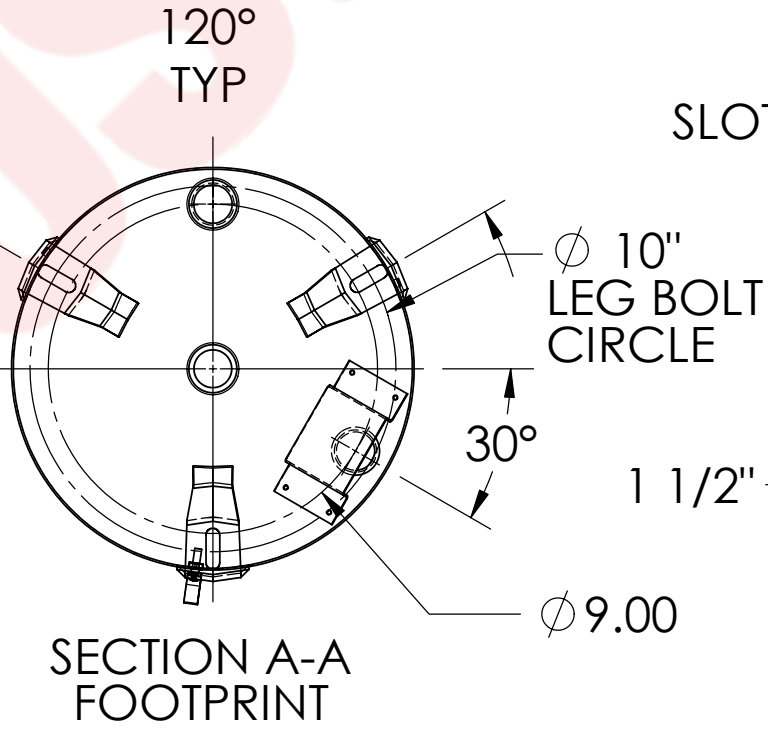


REV.	DESCRIPTION	DATE	APPROVED

ALLOW 68" FOR OVERHEAD CLEARANCE



THE INFORMATION CONTAINED IN THIS DRAWING IS THE SOLE PROPERTY OF HARMSCO INC.. ANY REPRODUCTION IN PART OR WHOLE WITHOUT THEIR EXPRESS WRITTEN CONSENT IS PROHIBITED.



<b>HARMSCO INC.</b>		P.O. BOX 14066 N. PALM BEACH, FL	
APPROVALS		DATE	PART NO.
DRAWN	CDB	04/03	WB 170SC-1
APPROVED	UNLESS OTHERWISE SPECIFIED DIMENSIONS ARE IN INCHES TOLERANCES ARE: FRACTIONS DECIMALS ANGLES +/- 1/8 +/- .010 +/- 30'		PART NAME
SCALE 1:5			INSTALLATION DIAGRAM
DRAWN ON CAD DO NOT SCALE			