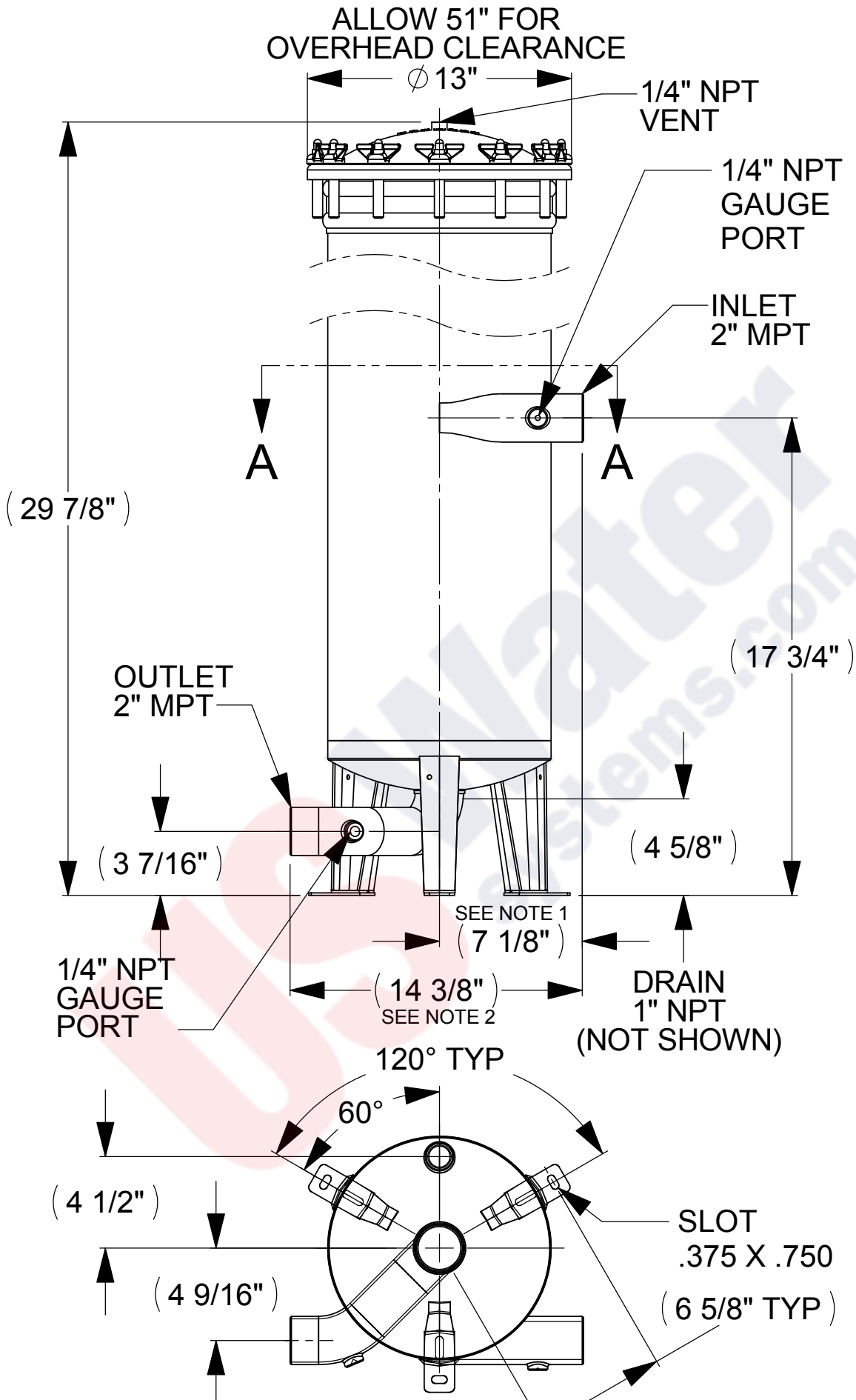


REV.	DESCRIPTION	DATE	APPROVED



**SECTION A-A  
FOOTPRINT**

THE INFORMATION CONTAINED IN THIS DRAWING IS THE SOLE PROPERTY OF HARMSCO INC. ANY REPRODUCTION IN PART OR WHOLE WITHOUT THEIR EXPRESS WRITTEN CONSENT IS PROHIBITED.

<b>HARMSCO INC.</b>		N. PALM BEACH, FL	
P.O. BOX 14066		PART NO. HUR 90 HP	
SCALE 1:7		PART NAME <b>INSTALLATION DIAGRAM</b>	
APPROVALS	DATE	DRAWN CWN 5/3/00	
APPROVED RPT.	5/31/00	UNLESS OTHERWISE SPECIFIED DIMENSIONS ARE IN INCHES TOLERANCES ARE:	
		FRACTIONS DECIMALS ANGLES +/- 1/8 +/- .010 +/- 30'	
DRAWN ON CAD DO NOT SCALE			

- NOTES:**
2. ADD 1" TO THIS DIMENSION WHEN USING A THREADED FLANGE (150 PSI).
  1. ADD 1/2" TO THIS DIMENSION WHEN USING A THREADED FLANGE (150 PSI).