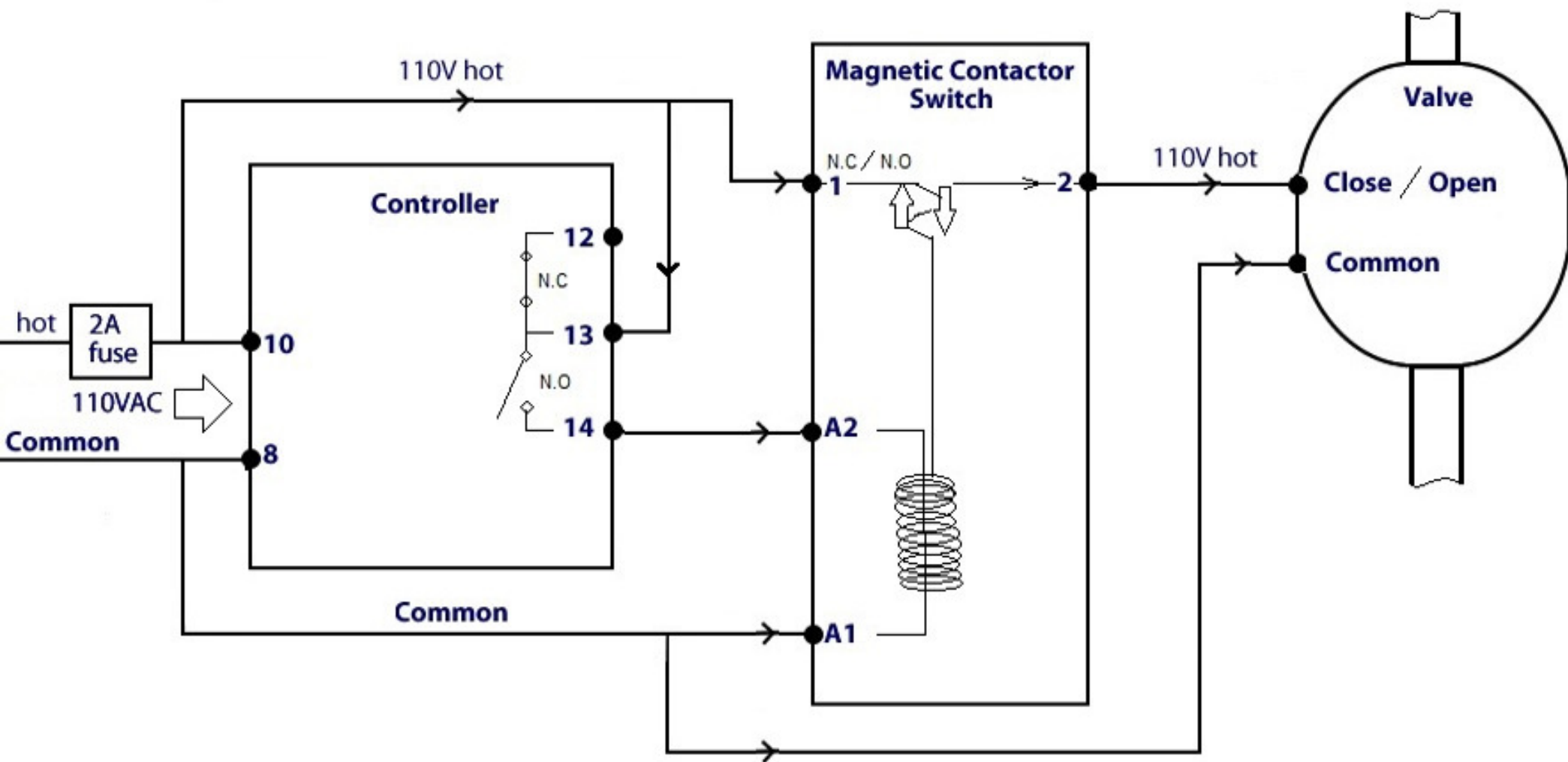


# Wiring schematic for using an HM Digital Controller with a manual/motor valve (non-solenoid)

- Needed: 1) 2A fuse  
2) Magnetic Contactor Switch (18-20A)



- Notes: 1) The schematic above is an example. In this example, the valve will open when the TDS level hits or exceeds the set point.  
2) "Normally Open" and "Normally Closed" on the controller refers to the circuit loop, not the position of the valve.