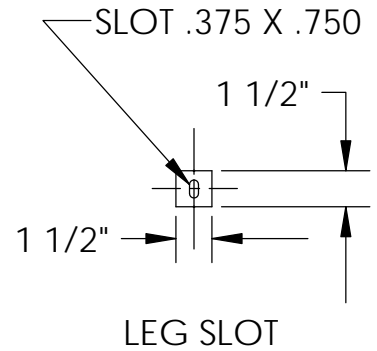
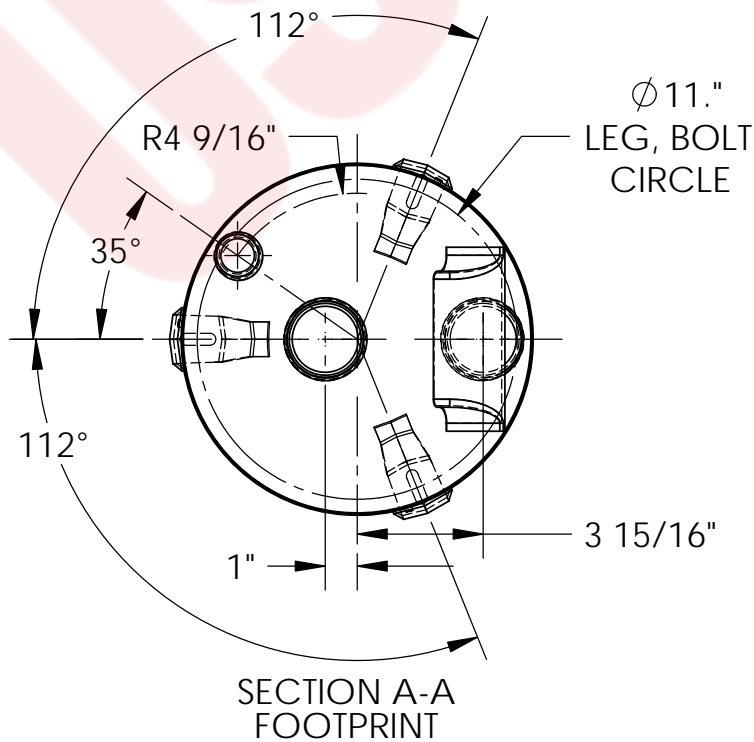
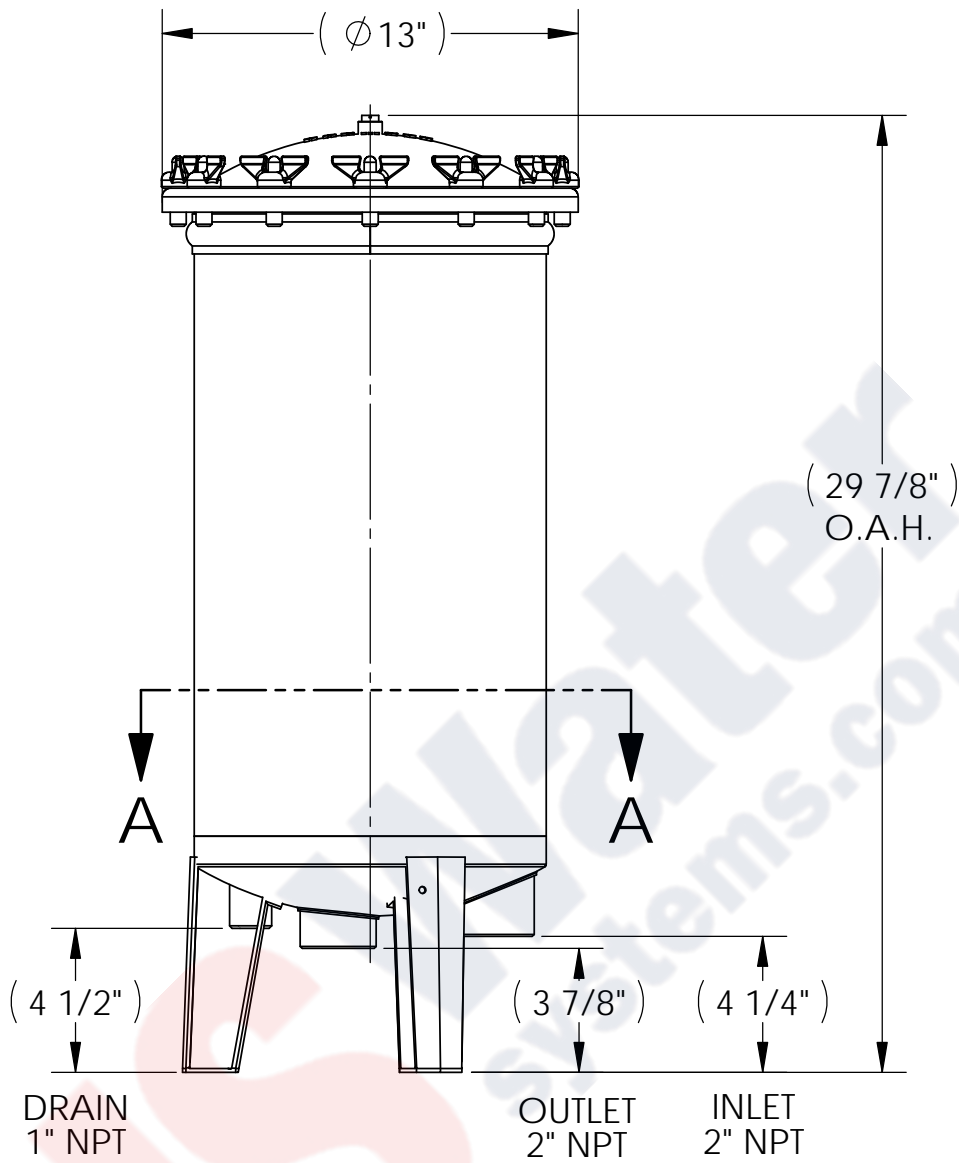


REV.	DESCRIPTION	DATE	APPROVED

E FILE: INSTALLATION DIAGRAM- WB 90SC-2

THE INFORMATION CONTAINED IN THIS DRAWING IS THE SOLE PROPERTY OF HARMSCO INC. ANY REPRODUCTION IN PART OR WHOLE WITHOUT THEIR EXPRESS WRITTEN CONSENT IS PROHIBITED.

ALLOW 48" FOR OVERHEAD CLEARANCE



HARMSCO INC.

P.O. BOX 14066 N. PALM BEACH, FL

PART NO.

PART NAME
**INSTALLATION
DIAGRAM**

SCALE
"1:6"

WB 90SC-2

APPROVALS	DATE
DRAWN	6/08
APPROVED	RPT

UNLESS OTHERWISE SPECIFIED
DIMENSIONS ARE IN INCHES
TOLERANCES ARE:
FRACTIONS DECIMALS ANGLES
+/- 1/8 +/- .010 +/- 30'

DRAWN ON CAD DO NOT SCALE