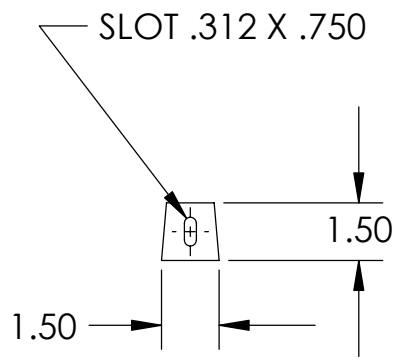
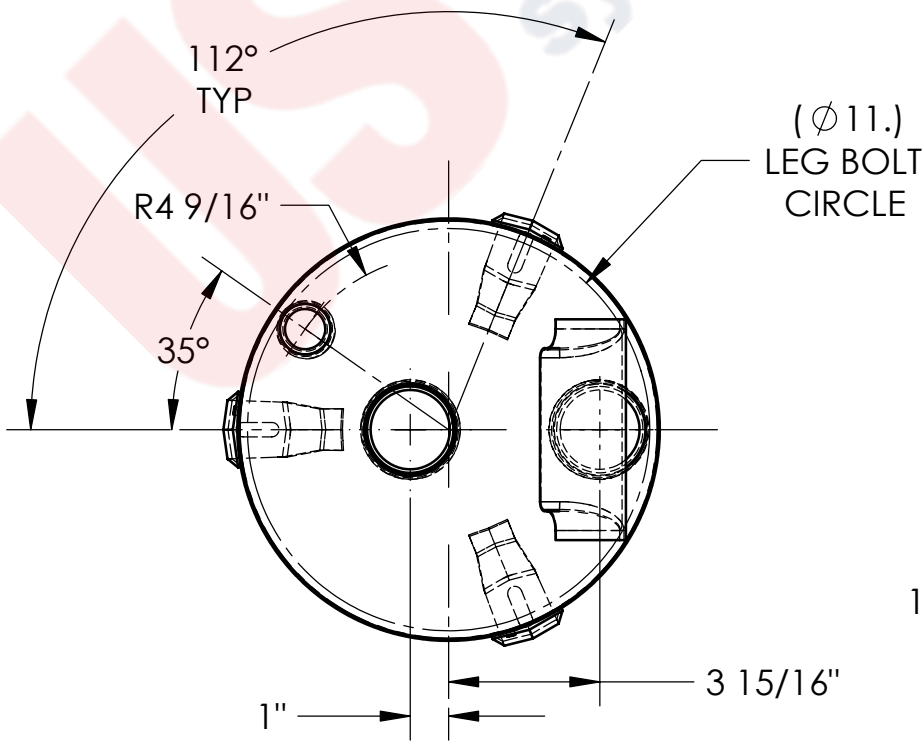
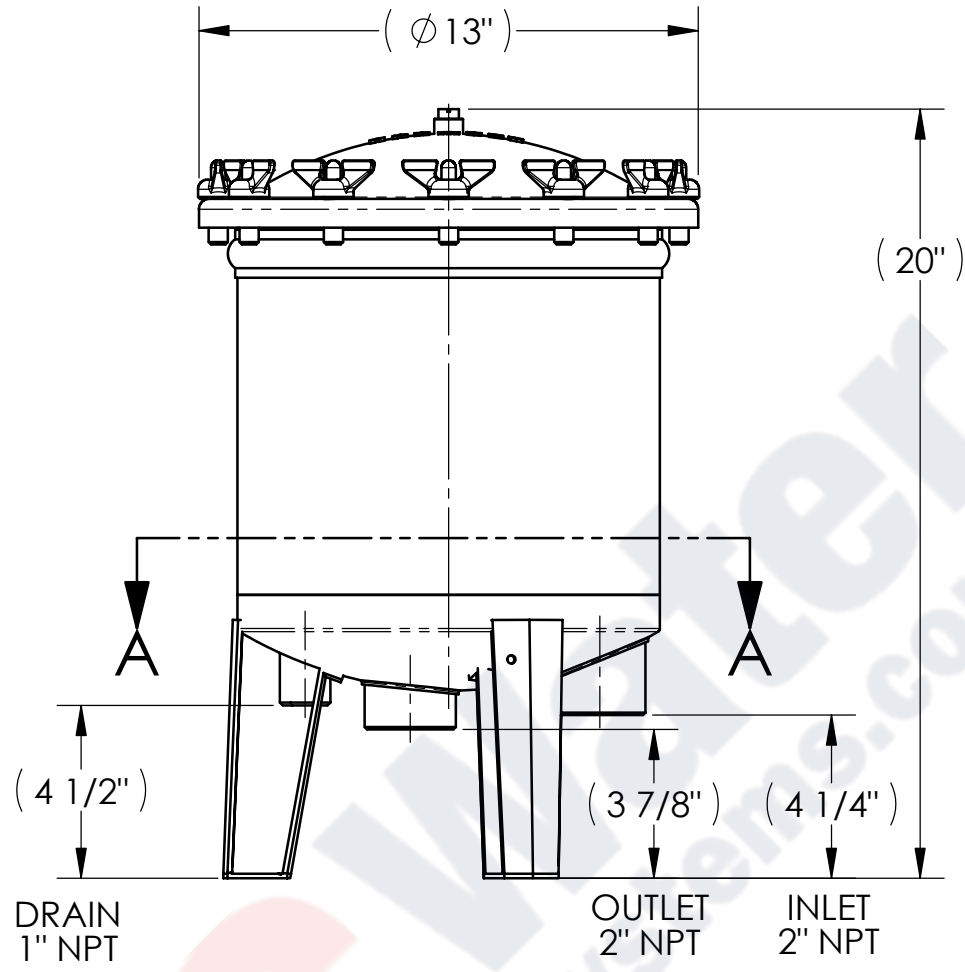


REV.	DESCRIPTION	DATE	APPROVED

E FILE: INSTALLATION DIAGRAM- WB 40SC-2

THE INFORMATION CONTAINED IN THIS DRAWING IS THE SOLE PROPERTY OF HARMSCO INC. ANY REPRODUCTION IN PART OR WHOLE WITHOUT THEIR EXPRESS WRITTEN CONSENT IS PROHIBITED.

ALLOW 41" FOR OVERHEAD CLEARANCE



SECTION A-A
FOOTPRINT

HARMSCO INC. P.O. BOX 14066 N. PALM BEACH, FL		PART NO. WB 40SC-2	
		PART NAME INSTALLATION DIAGRAM	
APPROVALS DRAWN RPT APPROVED		DATE 2/08	SCALE "1.5" DRAWN ON CAD DO NOT SCALE
UNLESS OTHERWISE SPECIFIED DIMENSIONS ARE IN INCHES TOLERANCES ARE: FRACTIONS DECIMALS ANGLES +/- .132 +/- .010 +/- .30°			