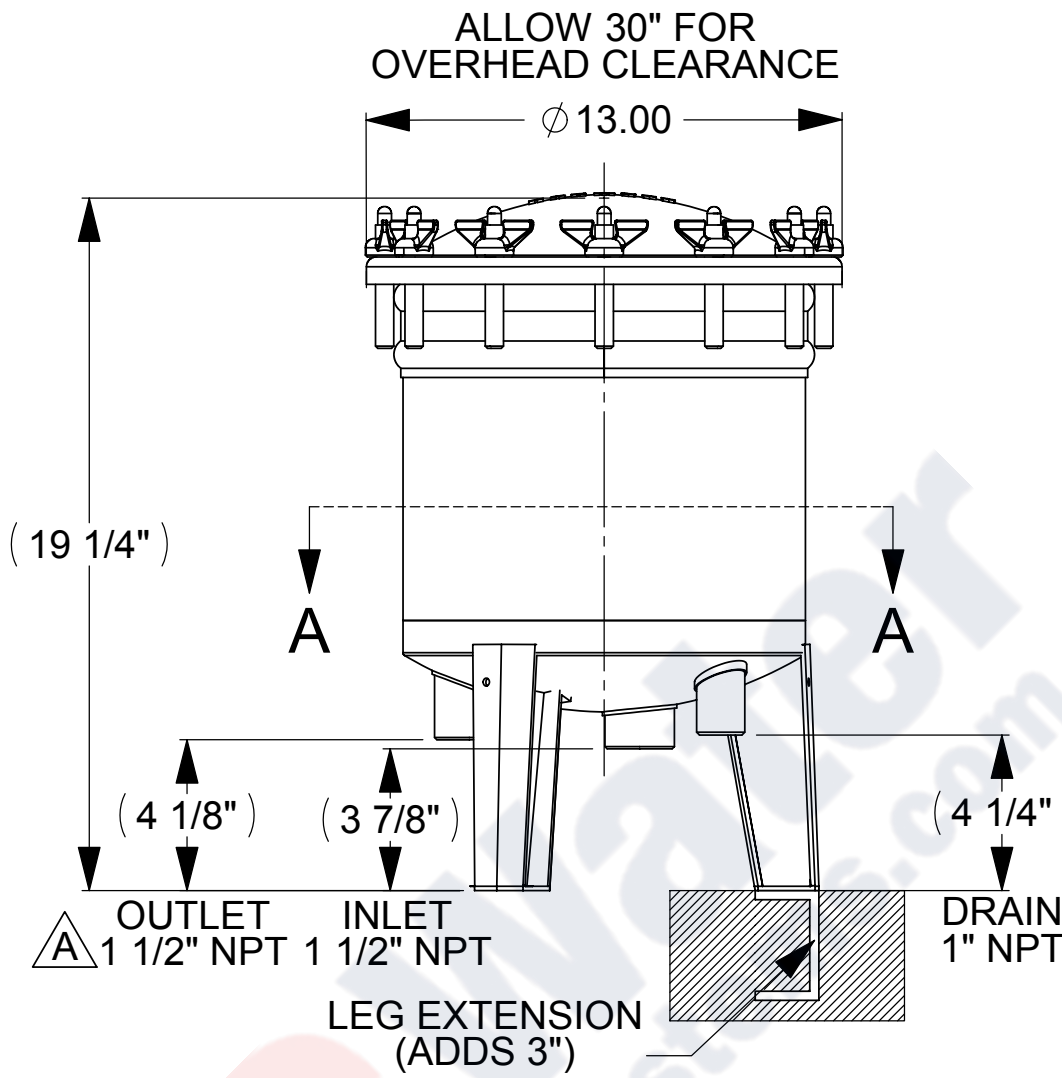
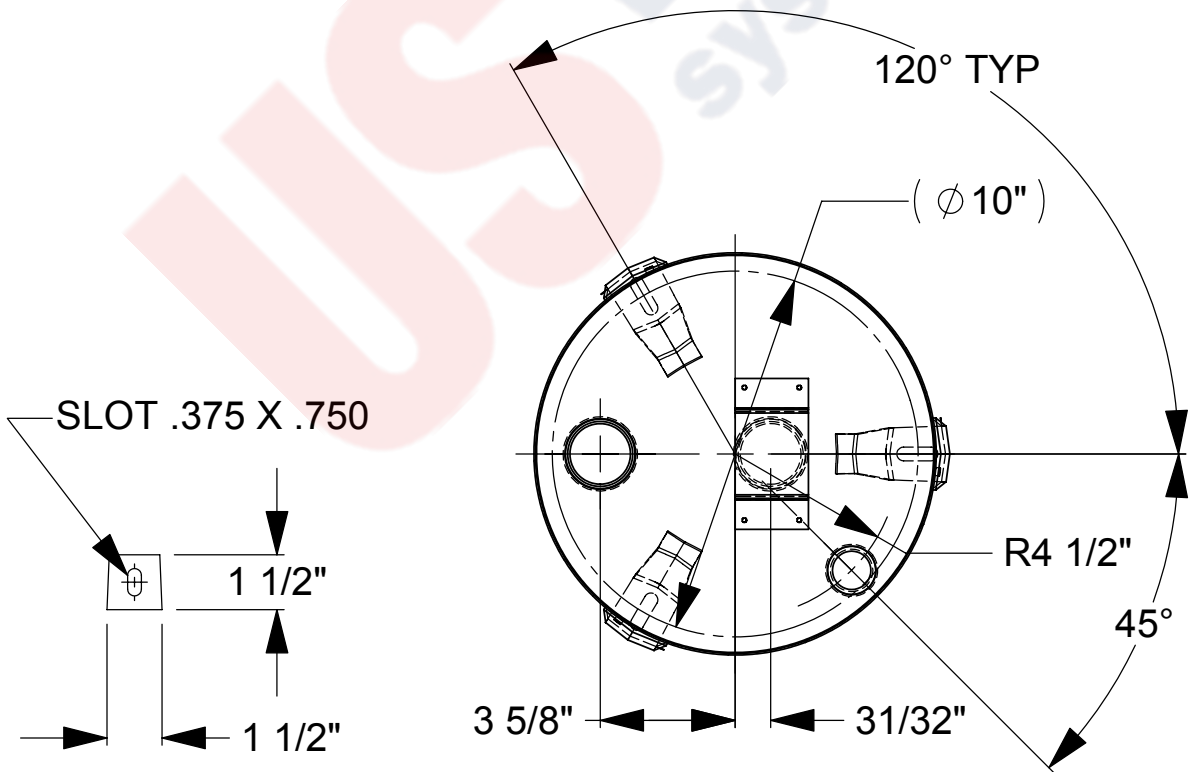


REV.	DESCRIPTION	DATE	APPROVED
	REDRAWN	10/99	

THE INFORMATION CONTAINED IN THIS DRAWING IS THE SOLE PROPERTY OF HARMSCO INC.. ANY REPRODUCTION IN PART OR WHOLE WITHOUT THEIR EXPRESS WRITTEN CONSENT IS PROHIBITED.



LEG EXTENSION (ADDS 3")



SECTION A-A
FOOTPRINT

HARMSCO INC.		P.O. BOX 14066		N. PALM BEACH, FL	
APPROVALS		DATE	SCALE		
DRAWN	CWN	5/1/00	1:5		
APPROVED	RPT	5/31/00	PART NO.		
UNLESS OTHERWISE SPECIFIED DIMENSIONS ARE IN INCHES TOLERANCES ARE: +/- .1/8 +/- .010 ANGLES +/- 30'			PART NAME		
DRAWN ON CAD DO NOT SCALE			INSTALLATION DIAGRAM		
			HIF 7		