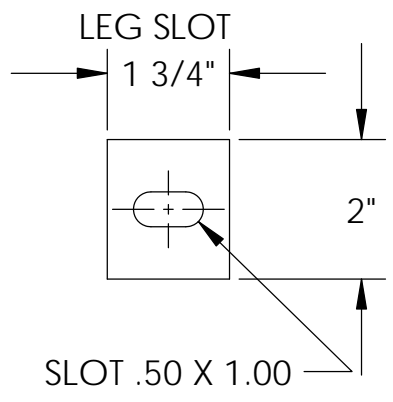
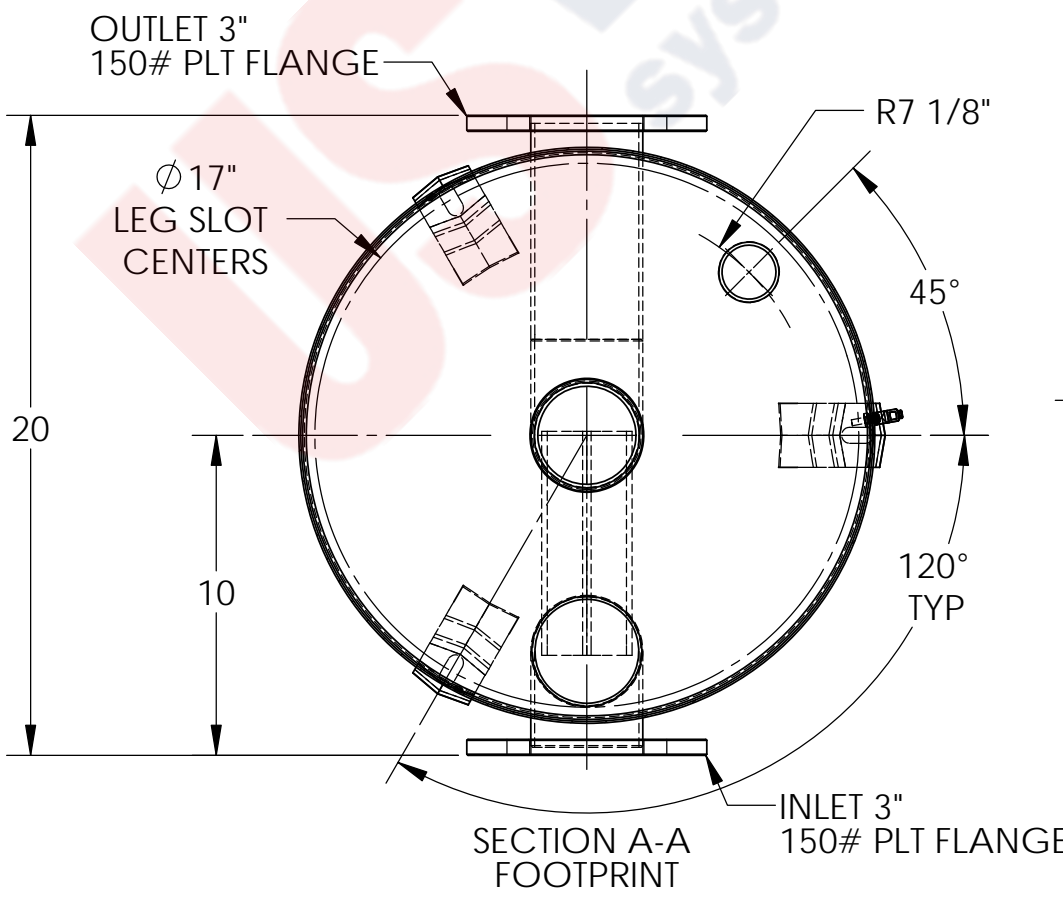
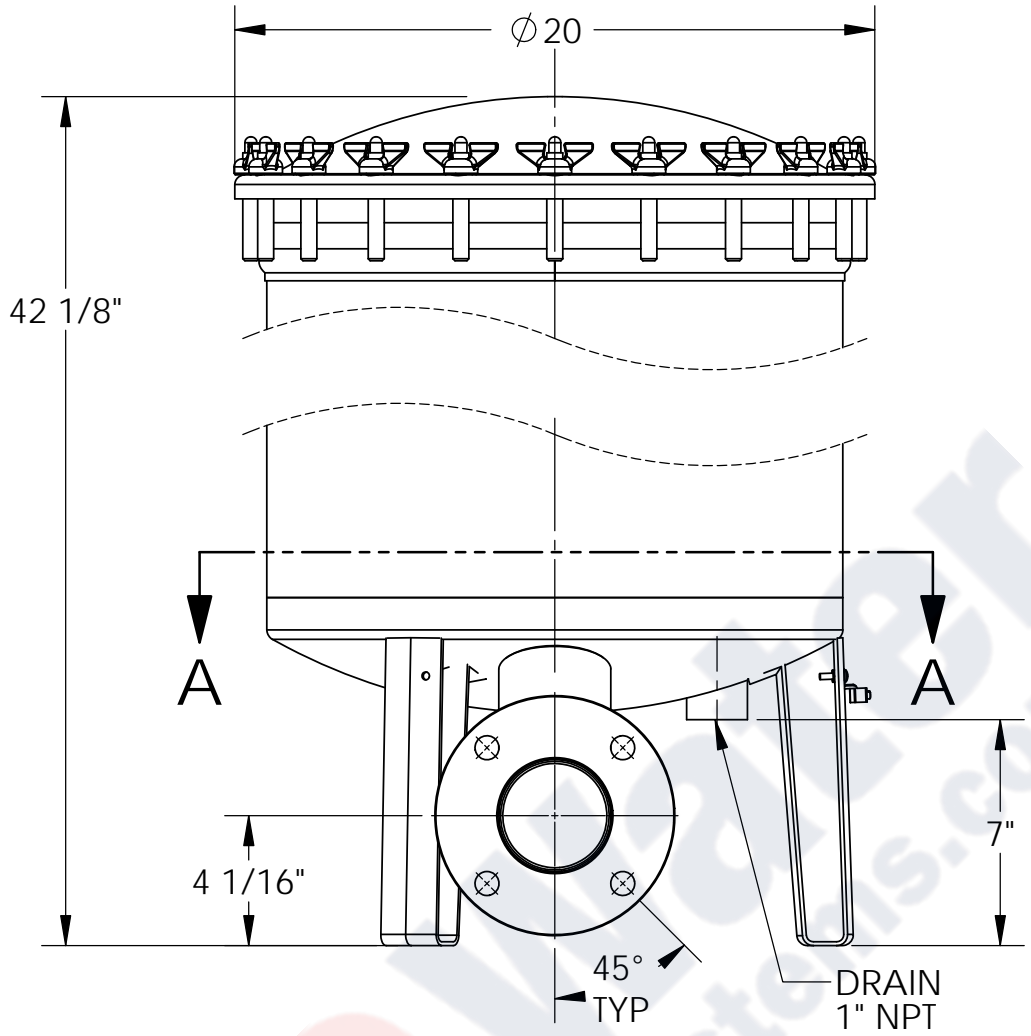


REV.	DESCRIPTION	DATE	APPROVED

ALLOW 70" FOR OVERHEAD CLEARANCE



APPROVALS	DATE
DRAWN RPT	12/08
APPROVED	

UNLESS OTHERWISE SPECIFIED DIMENSIONS ARE IN INCHES
 TOLERANCES ARE:
 FRACTIONS DECIMALS ANGLES
 +/- 1/8 +/- .010 +/- 1°

HARMSCO INC.
 P.O. BOX 14066 N. PALM BEACH, FL
 SCALE "1:6"
 PART NAME INSTALLATION DIAGRAM
 PART NO. HIF 75FL
 DRAWN ON CAD DO NOT SCALE

THE INFORMATION CONTAINED IN THIS DRAWING IS THE SOLE PROPERTY OF HARMSCO INC. ANY REPRODUCTION IN PART OR WHOLE WITHOUT THEIR EXPRESS WRITTEN CONSENT IS PROHIBITED.