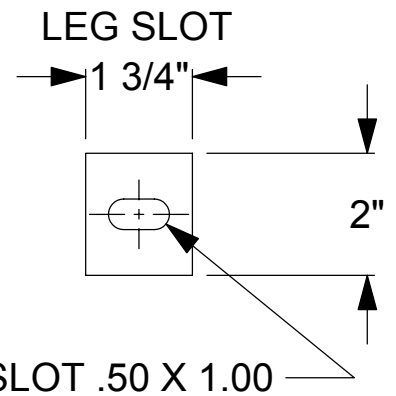
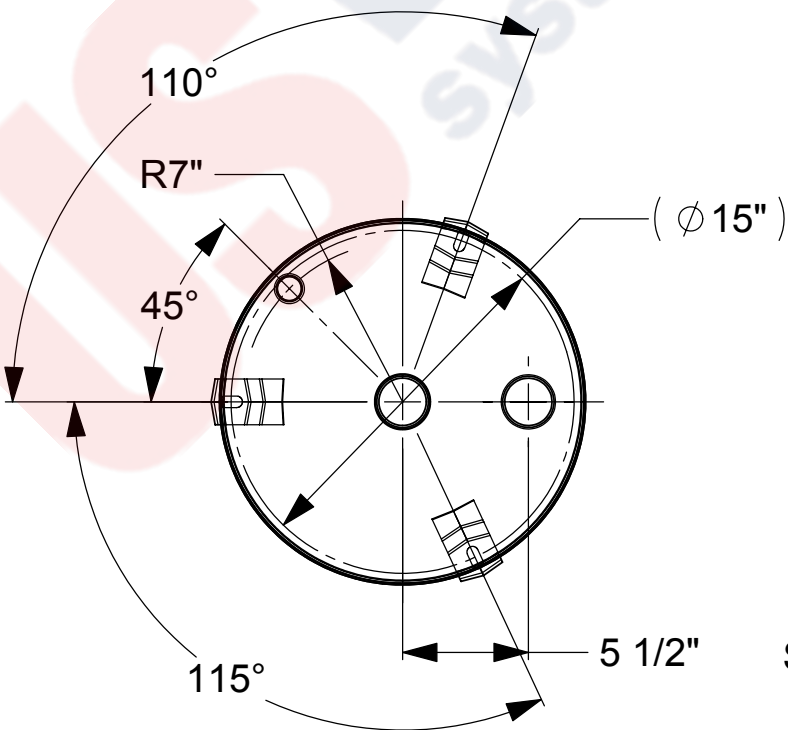
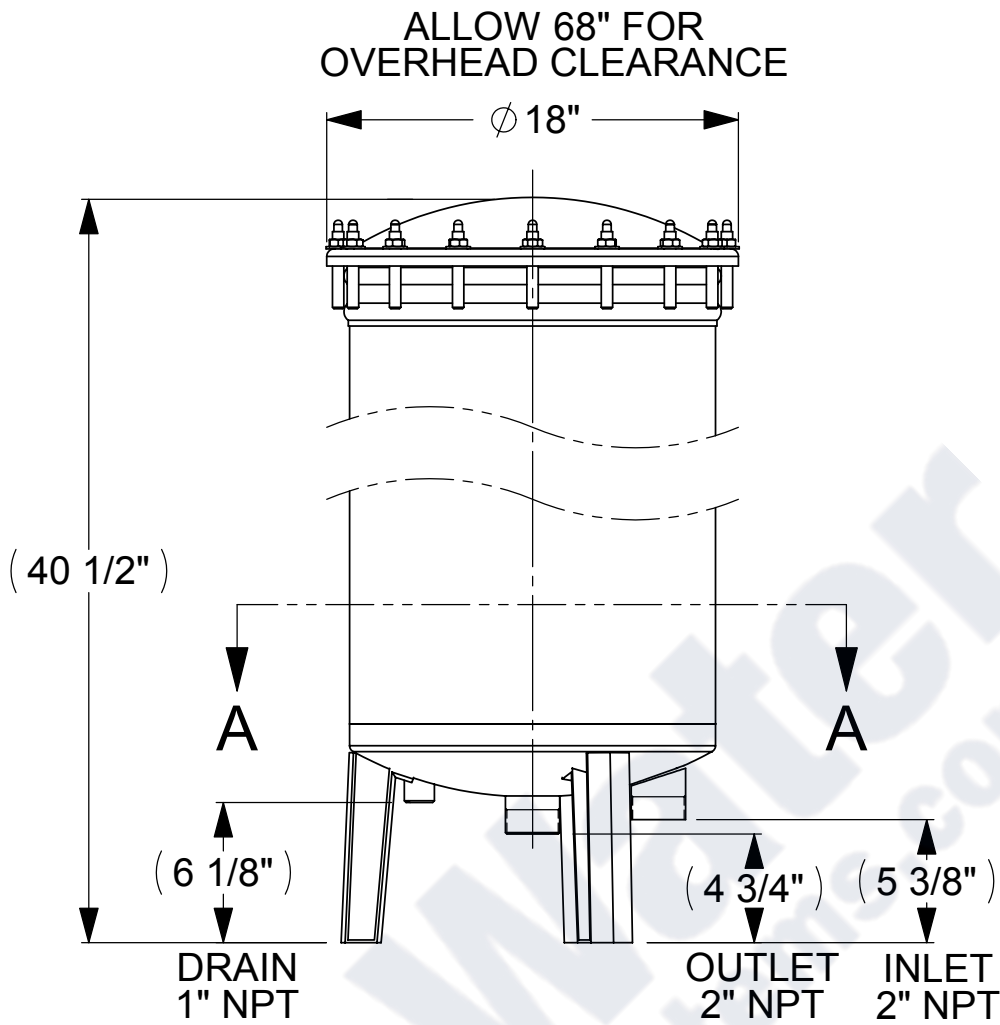


REV.	DESCRIPTION	DATE	APPROVED

THE INFORMATION CONTAINED IN THIS DRAWING IS THE SOLE PROPERTY OF HARMSCO INC.. ANY REPRODUCTION IN PART OR WHOLE WITHOUT THEIR EXPRESS WRITTEN CONSENT IS PROHIBITED.



SECTION A-A

HARMSCO INC. P.O. BOX 14066 N. PALM BEACH, FL		PART NO. HIF 42
SCALE 1:8		PART NAME INSTALLATION DIAGRAM
APPROVALS DRAWN CWN DATE 5/2/00 APPROVED RPT 8/28/00	UNLESS OTHERWISE SPECIFIED DIMENSIONS ARE IN INCHES TOLERANCES ARE: FRACTIONS DECIMALS ANGLES +/- 1/8 +/- .010 +/- 30'	
DRAWN ON CAD DO NOT SCALE		