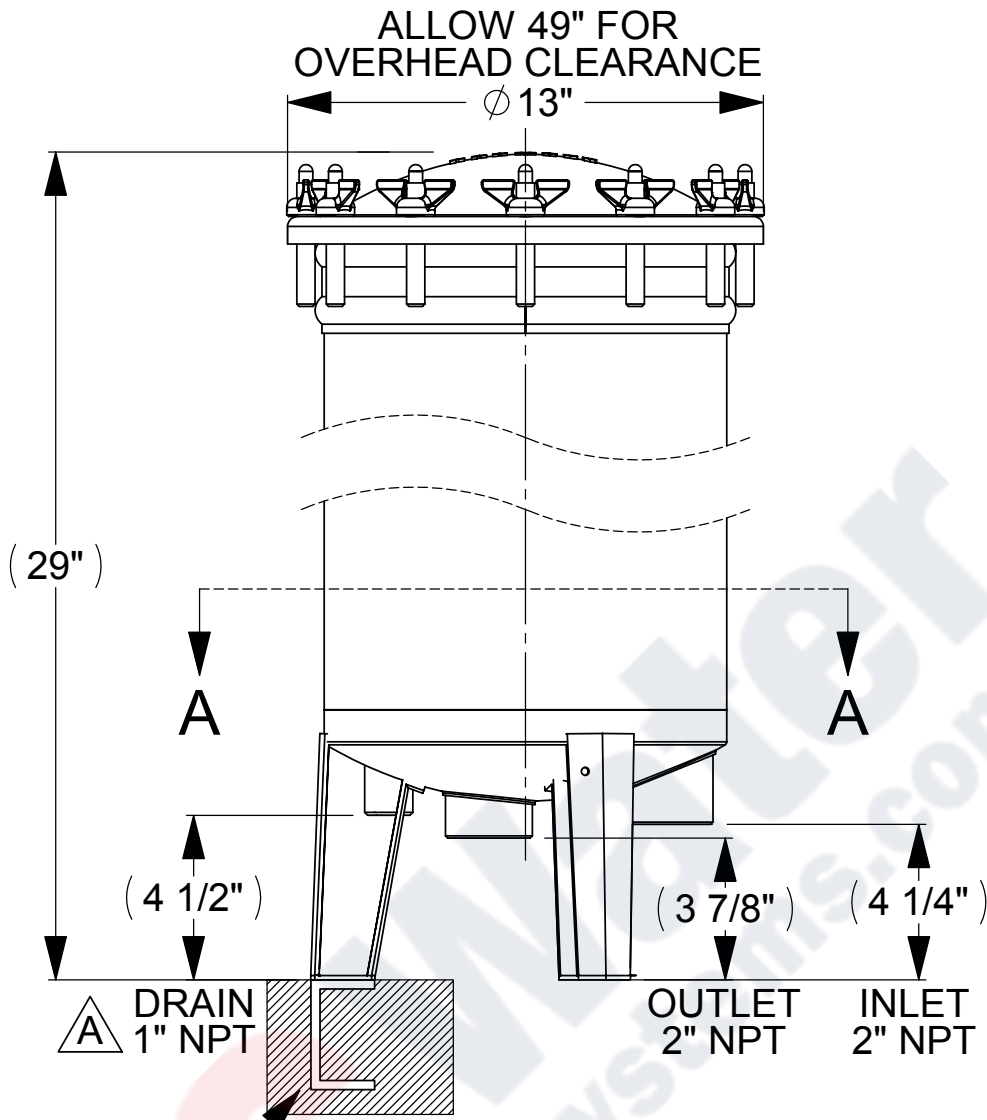
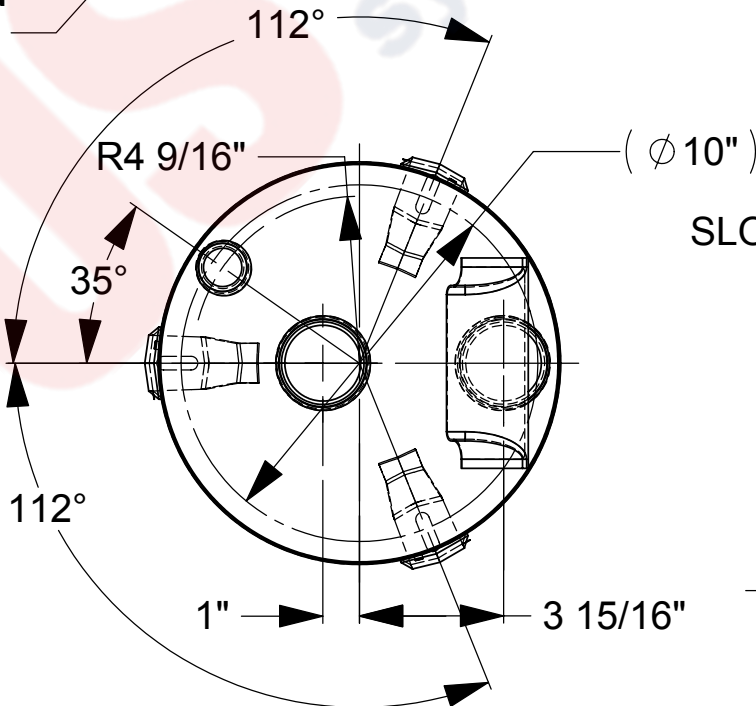


REVISIONS		DATE	APPROVED
REV. A	DESCRIPTION CALLOUT PIPE SIZE	11/99	



LEG EXTENSION
(ADDS 3")



SECTION A-A
FOOTPRINT

APPROVALS		DATE
DRAWN	CWN	5/200
APPROVED DRN.	RPT	5/31/00

UNLESS OTHERWISE SPECIFIED
DIMENSIONS ARE IN INCHES
TOLERANCES ARE:
FRACTIONS DECIMALS ANGLES
+/- 1/8 +/- .010 +/- 30'

HARMSCO INC.
P.O. BOX 14066 N. PALM BEACH, FL

SCALE	PART NAME	PART NO.
1:5	INSTALLATION DIAGRAM	HIF 16

DRAWN ON CAD DO NOT SCALE

THE INFORMATION CONTAINED IN THIS DRAWING IS THE SOLE PROPERTY OF HARMSCO INC.. ANY REPRODUCTION IN PART OR WHOLE WITHOUT THEIR EXPRESS WRITTEN CONSENT IS PROHIBITED.