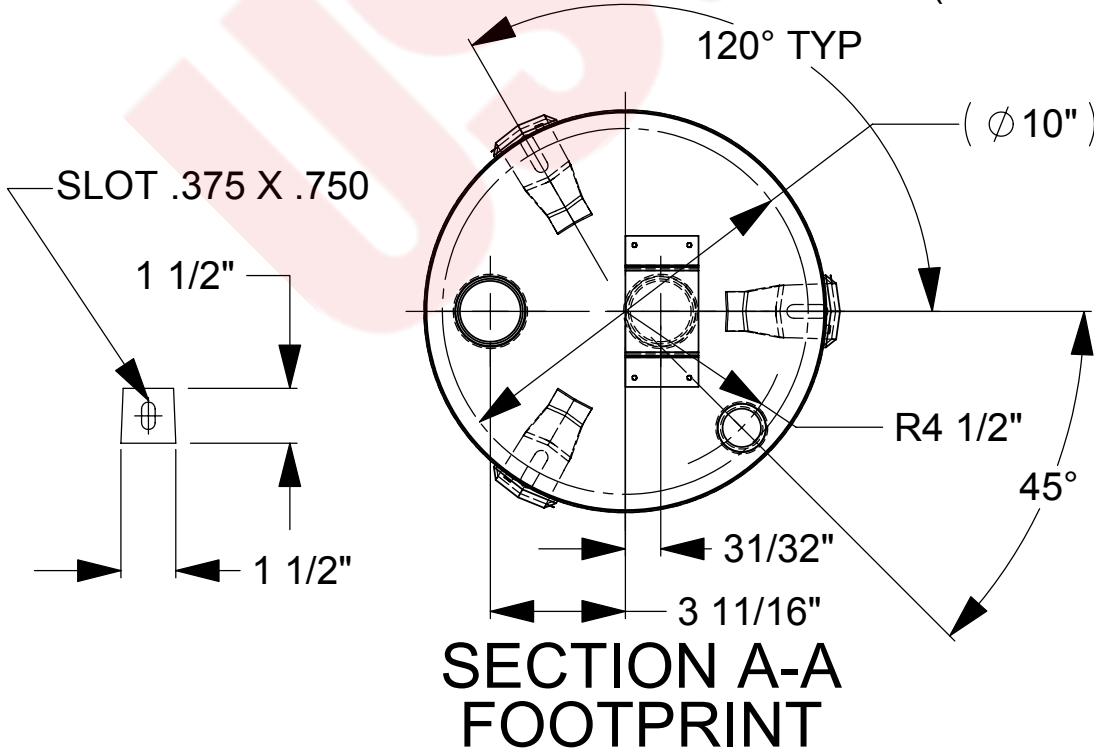
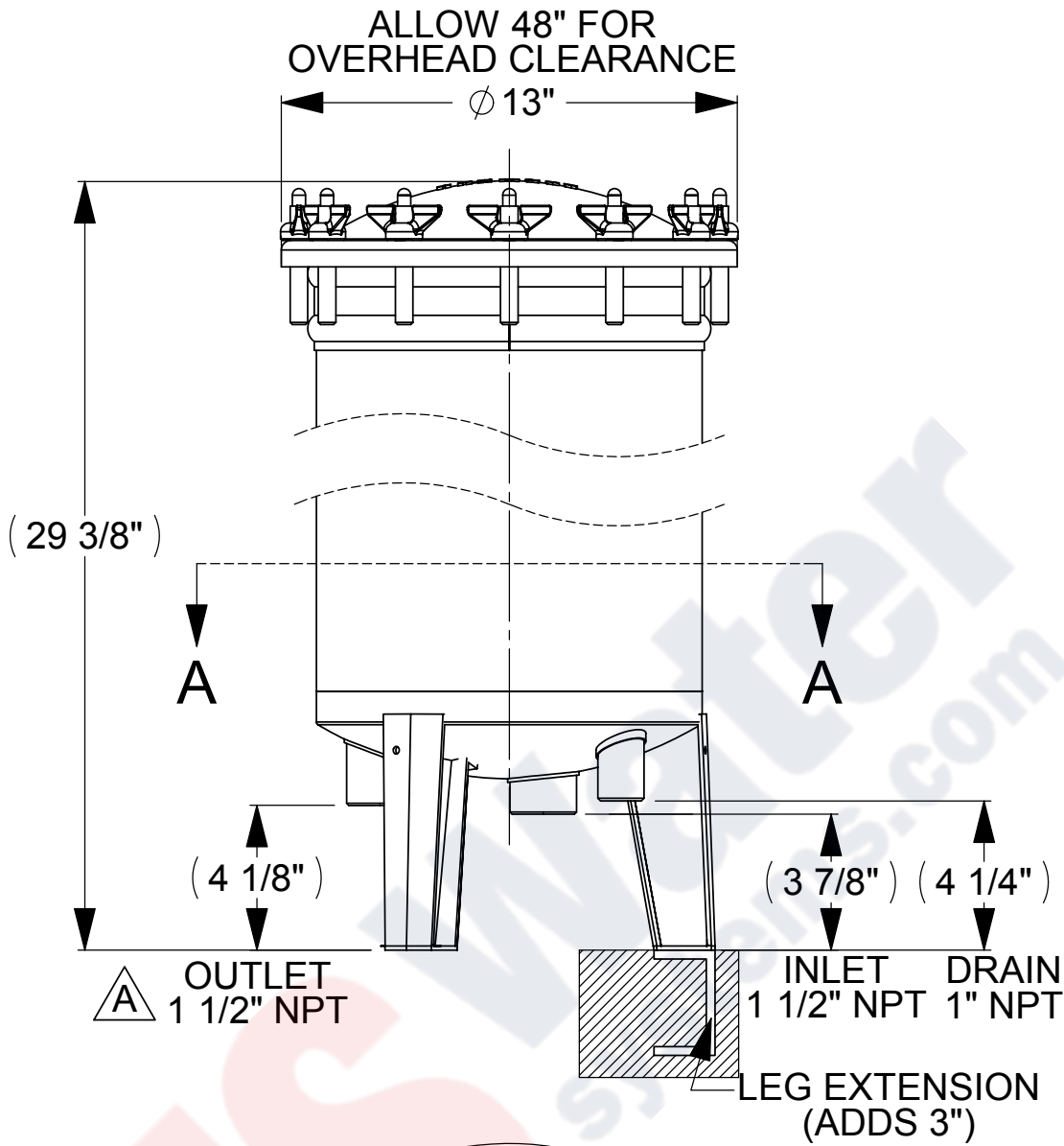


REV.	DESCRIPTION	DATE	APPROVED
A	CALLOUT PIPE SIZE 11/99		

THE INFORMATION CONTAINED IN THIS DRAWING IS THE SOLE PROPERTY OF HARMSCO INC.. ANY REPRODUCTION IN PART OR WHOLE WITHOUT THEIR EXPRESS WRITTEN CONSENT IS PROHIBITED.



<b>HARMSCO INC.</b>		P.O. BOX 14066		N. PALM BEACH, FL	
SCALE 1:5		PART NAME		PART NO.	
INSTALLATION		HIF 14		DIAGRAM	
APPROVALS	DATE	DRAWN ON CAD DO NOT SCALE			
DRAWN CWN	5/2/00				
APPROVED RPT	5/31/00				
UNLESS OTHERWISE SPECIFIED DIMENSIONS ARE IN INCHES TOLERANCES ARE:					
FRACTIONS DECIMALS		ANGLES			
+/- 1/8 +/- .010		+/- 30'			